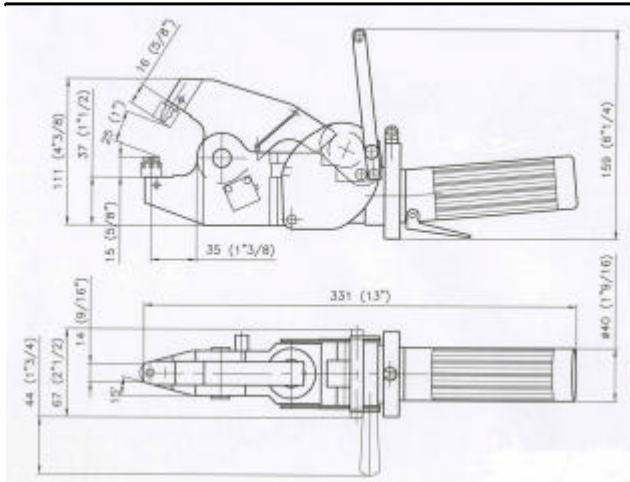
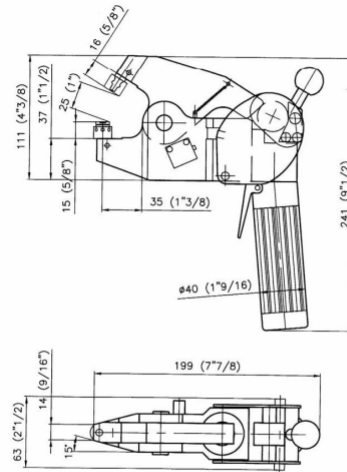


Alligator and Compact Lines

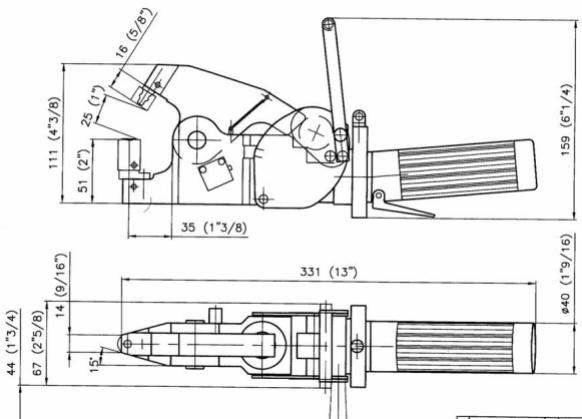


74 00006 SC Alligator 0302 AS V4

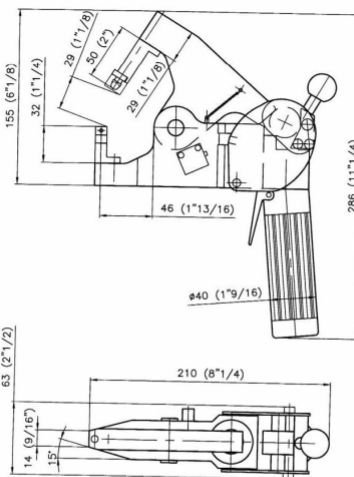


Tool part reference	Part Name	Description
74_00010	SC Compact 0302 AS V1	
74_00010	SC Compact 0302 AS V1	
attexor	ATTEXOR Tools S.A.	74_00010-C

74 00010 SC Compact 0302 AS V1

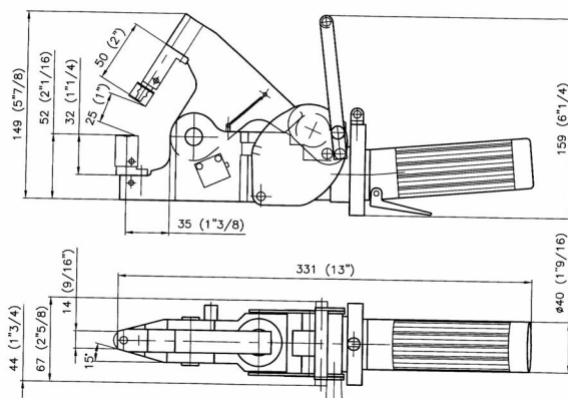


74 00007 SC Alligator 0302 AS V5



Tool part reference	Part Name	Description
74_00011	SC Compact 0403 AS	
74_00011	SC Compact 0403 AS	
attexor	ATTEXOR Tools S.A.	74_00011-C

74 00011 SC Compact 0403 AS



74 00008 SC Alligator 0302 AS V6

74 00045 SC Alligator 0403 AS is identical to 74 00011, except it features a straight handle instead of the pistol grip

ATTEXOR Tools S.A.
 Chemin du Chêne 7
 CH-1020 Renens/Lausanne
 Switzerland
 Phone: +41 21 691 13 80
 Fax: +41 21 691 13 89
 www.attexortools.com
 info@attexortools.com

ATTEXOR, Inc.
 90 Carando Drive
 Springfield, MA 01104
 United States
 Phone: 413-746-0222
 Fax: 413-746-6341
 www.attexorinc.com
 info@attexorinc.com

This document copyright
 © 2005-2009 by
 ATTEXOR Tools S.A.
 All rights reserved
 Printed matter No 55 02016
 Non-contractual, subject to
 changes without prior notice.

Distributor