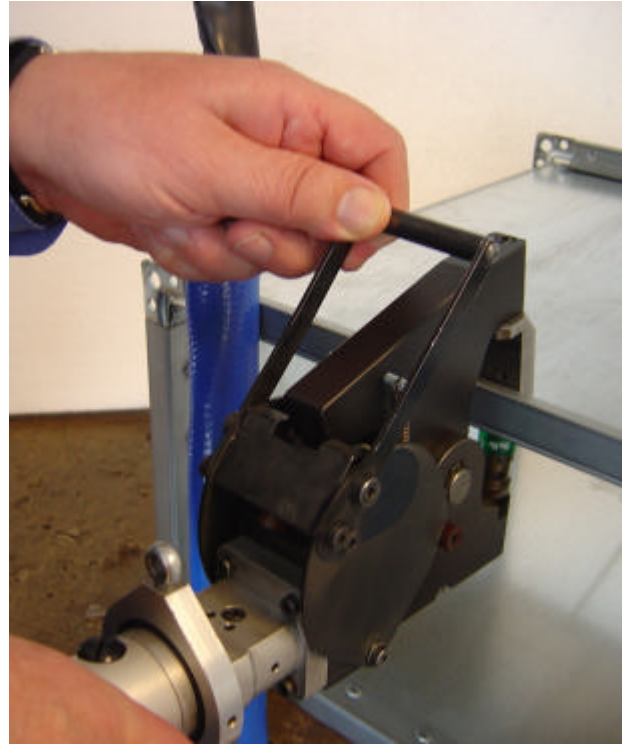
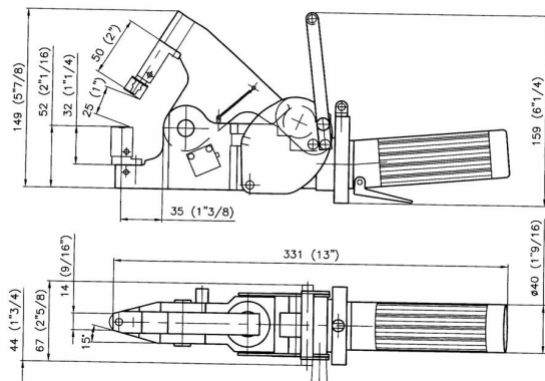
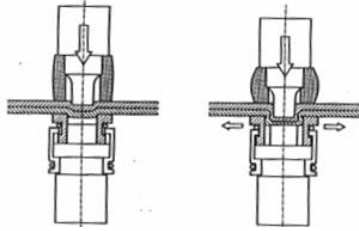


Single-stroke clinching

In single-stroke clinching, the overlapping sheet material members are drawn into the die cavity. When the die side layer reaches the anvil at the bottom of the cavity, a clinch joint will be created through the squeezing between the punch and the anvil.



Technical specifications

Workhead weight	3.7 kg	8.1 lbs
Drive pressure	6 bar	87 psi
Cycle time	0.6-0.9 s	
Maximum material thickness		
mild steel	3.0 mm	0.120"
aluminium	3.0 mm	0.120"

Article number

74 00008 Alligator 0302 AS V6, complete with workhead, handle, rotator, hose and booster, ready to be connected to a source of dry and clean compressed air at 6 bar, 87 psi

Options

92 70330 Upgrade to 3m, 10ft hose length

Tool kits

To be selected from the table below

Mild steel , copper, materials with ductility >20%				
Total thickness	1.0-1.5 mm, 0.040-0.060"	1.5-2.0 mm 0.060-0.080"	2.0-2.5 mm 0.080-0.100"	2.5-3.0 mm 0.100-0.120"
4-bladed round	92 30730	92 30731	92 30732	72 00029
2-bladed round	92 30790	92 30791	92 30792	72 00032
Rectangular	92 30830	92 30831	92 30832	92 30833
Aluminum, brittle material				
4-bladed round	92 30735	92 30736	92 30737	72 00041
2-bladed round	92 30795	92 30796	92 30797	72 00044
Rectangular	92 30830	92 30831	92 30832	92 30833

ATTEXOR Tools S.A.
 Chemin du Chêne 7
 CH-1020 Renens/Lausanne
 Switzerland
 Phone: +41 21 691 13 80
 Fax: +41 21 691 13 89
 www.attexortools.com
 info@attexortools.com

ATTEXOR, Inc.
 90 Carando Drive
 Springfield, MA 01104
 United States
 Phone: 413-746-0222
 Fax: 413-746-6341
 www.attexorinc.com
 info@attexorinc.com

This document copyright
 © 2005-2009 by
 ATTEXOR Tools S.A.
 All rights reserved
 Printed matter No 55 02003
 Nov-09

Distributor